



# PHOENIX

## STUDIO

### CHANNEL DRAIN HEELGUARD 75MM OUTLET 65MM

CODE	FINISH	LENGTH
1008896	Stainless Steel	600MM
1008902	Stainless Steel	750MM
1008908	Stainless Steel	900MM
1008914	Stainless Steel	1200MM

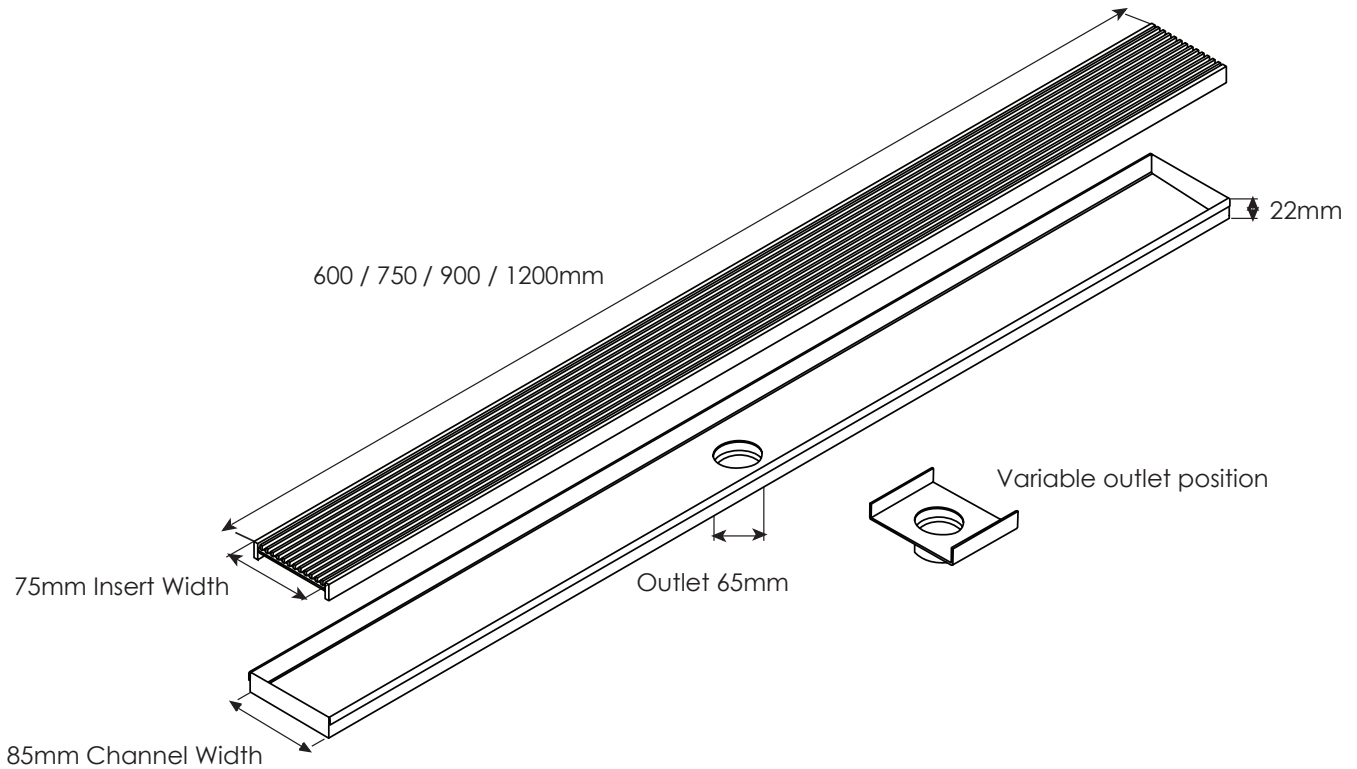


AVAILABLE IN:



STAINLESS  
STEEL

FOR MORE INFORMATION VISIT  
[www.phoenixtapware.com.au](http://www.phoenixtapware.com.au)



PLEASE [CLICK HERE TO VIEW FULL WARRANTY](#)

While we aim to ensure the specifications shown are correct at time of printing, Phoenix Tapware reserves the right to make modifications without prior notice. Always use the physical product measurements for mark-ups and roughing-in as the line drawing shown may differ from the actual product over time. All measurements are shown in millimetres. Some colours may vary across product types due to differing construction materials. Printed images are a representation only and the colour or finish may vary from the actual product.

[www.phoenixtapware.com.au](http://www.phoenixtapware.com.au)  
03 9780 4200