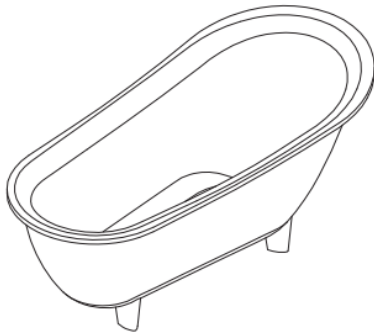


RS17-1620-ETON

Free Standing Stone Bath Matte White

KASKADE
STONE BATHS & BASINS

Couldn't be better



MATERIAL: KASKADESTONE

FINISH: MATTE

COLOUR: WHITE

DIMENSIONS: 1620x770x665/560mm

PACKAGE SIZE: 1720 x 900 x 740mm

NET WEIGHT: 97kg

GROSS WEIGHT: 139kg

WARRANTY: 7 YEARS

CARE AND MAINTENANCE

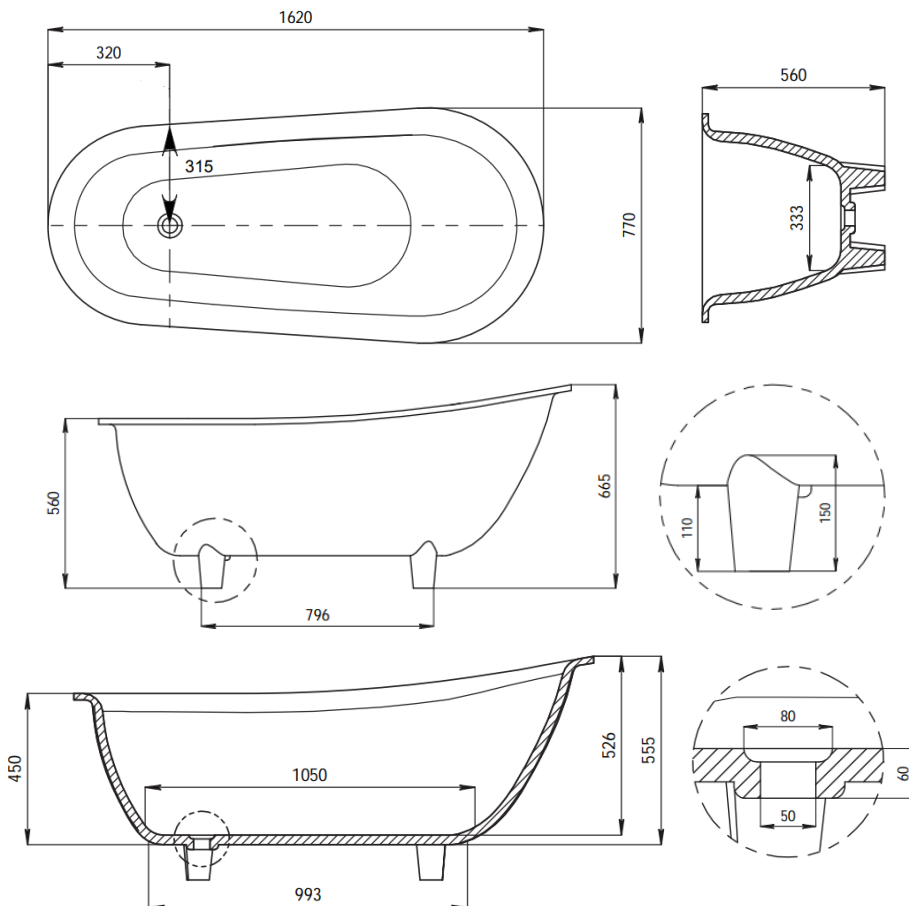
Regular Cleaning

Use warm water and a small amount of mild liquid detergent, such as dishwashing liquid.

Tougher Marks

Use a cream cleanser such as Jif Cream or Gumption, which is a mild abrasive and is not citrus based – for matt finish only.

Always rinse with water and mild detergent after using cream cleaners.



1. DRAWINGS ARE NOT TO SCALE
2. DIMENSIONS ARE IN MILLIMETERS
3. AS ALL KASKADE PRODUCTS ARE HAND FINISHED A ± 5 MM TOLERANCE IS ALLOWED