

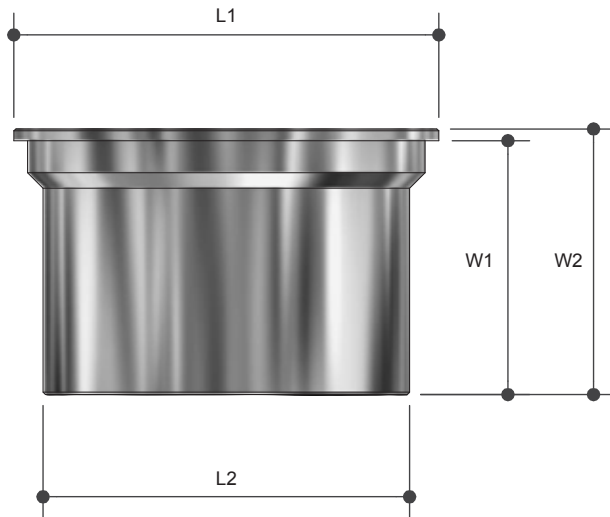
Floor Grates

ROUND LEAK CONTROL

FLG3

Product Specifications

MT MONOPOLY™
T A P W A R E



Specifications

To suit DN80 pipe

Features



Watermark approved

Also available in Matte black finish

Tested and certified to WMTS 040

Sizing Chart (MM)

	SIZE	L1	L2	W1	W2
FLG3	80	87	75	52	55
FLG3MB	80	87	75	52	55

For more information on Monopoly Tapware, contact:
Austworld 15 Activity Crescent, Molendinar, Queensland 4214 Australia
P. 1300 780 430 F. 1300 780 441 E. info@austworld.com.au

Austworld Pty Ltd. All rights reserved 2018. Austworld and Monopoly Tapware are registered trade mark belonging to Austworld Pty Ltd.

AW
AUSTWORLD