

MR08 SHELF

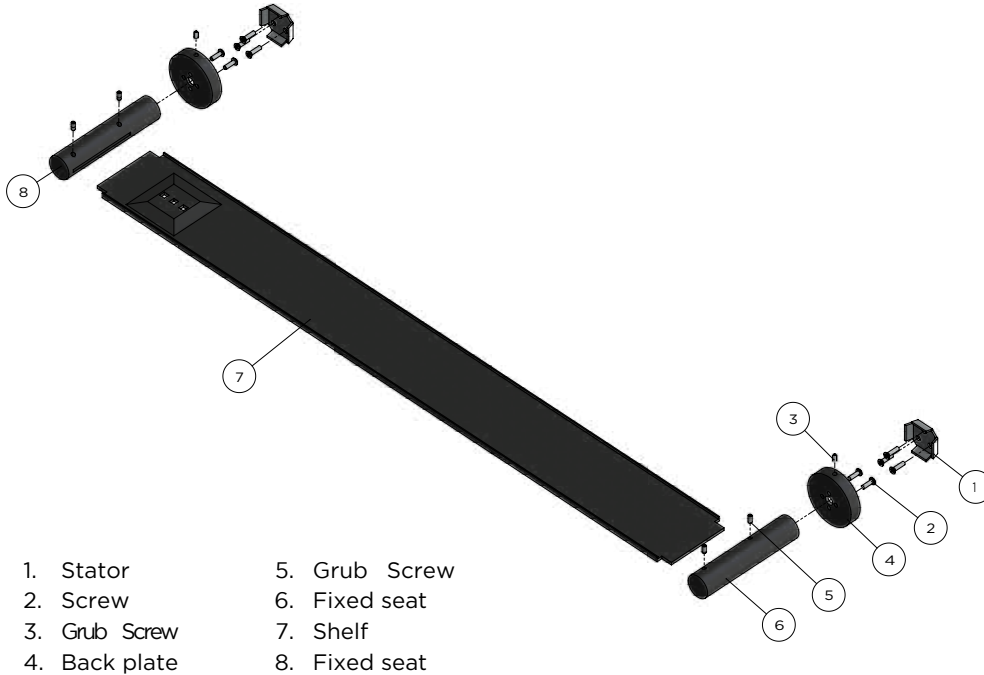
meir®

MATTE BLACK
MR08

AVAILABLE
FINISHES



EXPLODED VIEW



- | | |
|---------------|---------------|
| 1. Stator | 5. Grub Screw |
| 2. Screw | 6. Fixed seat |
| 3. Grub Screw | 7. Shelf |
| 4. Back plate | 8. Fixed seat |

CARE

- Do not install tapware using any form of acetone silicones.
- Do not apply physical items (such as tools) directly to product.
- Never use house-hold or commercial detergents, citrus based cleaners, or abrasive cleaners.
- Clean using a mild washing soap solution rinsed, and dry with a soft cloth.
- Check for any product defects before installation.
- Refer to the installation manual for correct installation.

FEATURES

- 10 Year warranty
- Solid brass construction
- Box Weight 1Kg

SPECIFICATIONS

