

**APLIN**

INSET BATH/SPA BATH WITH TILE BEAD - Premium Sanitary Grade Acrylic, High Gloss White

The Aplin's timeless design features generous depth & additional features such as arm rests & ergonomic lumbar support that set the benchmark in corner bath design. Centre waste position.

Molded arm rests

Lumbar support

Suitable for dual bathing

Slip resistant pattern



**APLIN BATH**

SIZE (l) x (w) x (d) mm	CAPACITY*	NET WEIGHT	CODE
1295 x 1295 x 480	179L	20.3kg	<b>105500</b>
1465 x 1465 x 480	259L	24.5kg	<b>105505</b>



- 15 YR WARRANTY\*
- AS/NZ Standard 2013/1995
- Steel rod reinforced rim
- Double reinforced bath base



**APLIN SANTAI SPA BATH** ● 6 or 12 JETS

SIZE (l) x (w) x (d) mm	CAPACITY*	NET WEIGHT	CODE
1295 x 1295 x 480	179L	25.3kg	<b>105501</b> 6 JETS <b>105504</b> 12 JETS
1465 x 1465 x 480	259L	45kg	<b>105506</b> 6 JETS <b>105509</b> 12 JETS

- 10 YR WARRANTY\* - SPA SHELL
- 5 YR WARRANTY\* - PUMP, JETS & FITTINGS
- AS/NZ Standard AS3861/1991
- Steel rod reinforced rim
- Double reinforced bath base
- 6 x low profile Mod centro jets
- 6 x low profile Mod mini jets (12-jet model)
- 1 x low profile Mod suction
- 1 x Mod power button (rim mounted)
- 2 x Mod air controls (rim mounted)
- 750 watt auto heat boost pump



**APLIN CONTOUR SPA BATH** ●● 14 JETS

SIZE (l) x (w) x (d) mm	CAPACITY*	NET WEIGHT	CODE
1295 x 1295 x 480	179L	35.3kg	<b>105502</b>
1465 x 1465 x 480	259L	45kg	<b>105507</b>

- 10 YR WARRANTY\* - SPA SHELL
- 5 YR WARRANTY\* - PUMP, JETS & FITTINGS
- AS/NZ Standard AS3861/1991
- Steel rod reinforced rim
- Double reinforced bath base
- 6 x flush C-Lenda™ centro jets
- 8 x flush C-Lenda™ mini jets
- 2 x flush C-Lenda™ air controls
- 1 x flush C-Lenda™ suction
- 1 x Sensa-Touch pad control (rim mounted)
- 750 watt 3-stage heat boost pump



**APLIN DOLCE VITA** ●●● 18 JETS

SIZE (l) x (w) x (d) mm	CAPACITY*	NET WEIGHT	CODE
1295 x 1295 x 480	179L	60.3kg	<b>105503</b>
1465 x 1465 x 480	259L	75kg	<b>105508</b>

- 10 YR WARRANTY\* - SPA SHELL
- 5 YR WARRANTY\* - PUMP, JETS & FITTINGS
- AS/NZ Standard AS3861/1991
- Steel rod reinforced rim
- Double reinforced bath base
- 6 x adjustable flush C-Lenda™ centro jets
- 12 x adjustable flush C-Lenda™ mini jets
- 2 x flush C-Lenda™ air controls
- 1 x flush C-Lenda™ suction
- Spa Key remote control
- 1100 watt spa key heat boost pump



Available with Chrome, White or Black jets

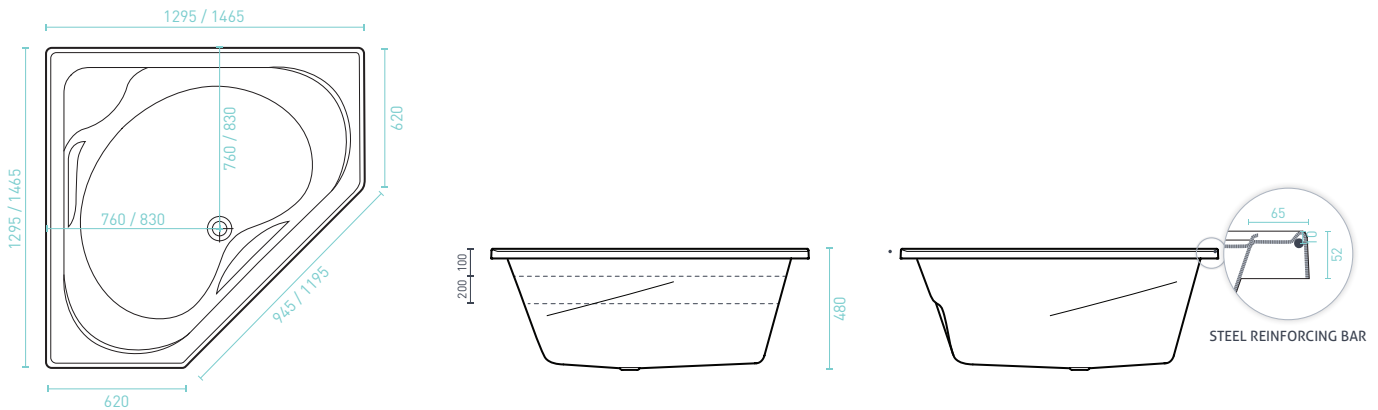


\*Capacity 200mm below the bath rim

APLIN ACCESSORIES	BATH	SANTAI SPA BATHS	CONTOUR SPA BATH	DOLCE VITA SPA BATH
Corner Base Support Frame	Optional	Optional	Optional	✓
SIA Headrests (Black/White)	Optional	Optional	✓ x 2	✓ x 2
Overflow	Optional	Optional	Optional	Optional
Plug & Waste	Optional	Optional	Optional	Optional

**APLIN**

INSET BATH/SPA BATH WITH TILE BEAD - Premium Sanitary Grade Acrylic, High Gloss White



**SPA BATH ORDER FORM**

Spa baths are made to order on receipt of the order form & are non-refundable. Please allow 15 working days for completion & dispatch. We recommend filling out your SPA BATH ORDER FORM with your qualified spa bath installer.

COMPANY & BRANCH: \_\_\_\_\_ PHONE NO: \_\_\_\_\_

CONTACT: \_\_\_\_\_ ORDER NO: \_\_\_\_\_ DATE: \_\_\_\_\_

MODEL: \_\_\_\_\_ SIZE: \_\_\_\_\_ QTY: \_\_\_\_\_ RANGE  SANTA  CONTOUR  DOLCE VITA

**SANTA SPA BATH OPTIONS**

**PUMP UPGRADE** Manual Xtra-Heat Boost Pump (RRP \$215)

**PUMP UPGRADE** Sensa-Touch Pad Control 3-Stage Heat (RRP \$425)

**EZI FRAME** (RRP from \$115) Supplied  Factory Fitted (Additional cost)

**BASE SUPPORT FRAME** Factory Fitted (RRP \$325)

**HEADRESTS** (RRP \$99 each) White QTY: \_\_\_\_\_ Black QTY: \_\_\_\_\_

**OVERFLOW** (RRP from \$120)

**CONTOUR SPA BATH OPTIONS**

**EZI FRAME** (RRP from \$115) Supplied  Factory Fitted  (Additional cost)

**BASE SUPPORT FRAME** Factory Fitted (RRP \$325)

**HEADREST COLOUR** (NO additional cost) White  Black

**OVERFLOW** (RRP from \$120)

**DOLCE VITA SPA BATH OPTIONS**

**HEADREST COLOUR** (NO extra cost) White  Black

**JET COLOUR** (NO extra cost) Chrome  White  Black

**OVERFLOW** (RRP from \$120)

**SPA PUMP NOTES**

- The spa pump does not fit directly in the baths perimeter (allow 100mm)
- Waste positions can not be changed
- We recommend spa pumps installed outside are fitted with a Spa Pump Cover (RRP \$199)
- The spa pump must be easily accessible for maintenance
- The spa pump controls will always be at the front, unless indicated below

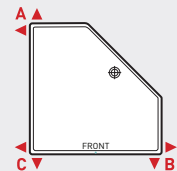
----- Please refer to the technical drawings before choosing your spa pump position, as spa bath waste & pump positions CAN NOT be customised -----

**1. CIRCLE YOUR PUMP POSITION A / B / C ON THE DIAGRAM**

300mm of pipework & 2 elbows are supplied to install the pump in the correct orientation. If extra pipework is required, how much? \_\_\_\_\_mm (max. recommended distance between the spa bath & pump is 1.2m)

**2. CROSS (X) YOUR SHOWER HEAD POSITION ON THE DIAGRAM (if applicable)**

Spa pump controls can not be on the same end as the shower.



CUSTOMER NAME: \_\_\_\_\_ CUSTOMER SIGNATURE: \_\_\_\_\_

CUSTOMER EMAIL: \_\_\_\_\_ CUSTOMER PHONE NO: \_\_\_\_\_

\*Whilst every effort is made to adhere to published jet & fittings positions, variation to specifications may occur without notice.