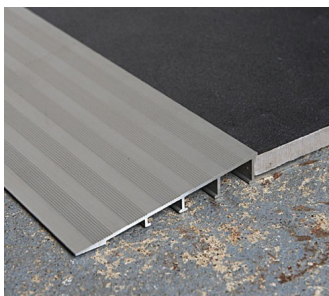
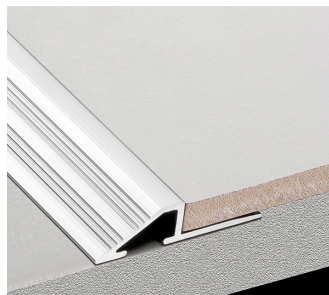




DTA ALUMINIUM TRANSITION EDGE

DATA SHEET REF: DTA_ATSE001

- Allows for a gradual transition from either concrete, wood floor or vinyl to protect the edge of the tile
- Ideal for domestic or commercial application
- Fast fitting and consistent finish
- Profiles 12.5mm - 18mm have a support leg for extra strength
- Profiles 58mm and 89mm have 3 additional support legs for extra strength
- Available in 8 sizes and 3 different colours. Customised colours available on request
- Transition edge available in 3m lengths



Aluminium Transition Edge (3 Metre Lengths)					
Height (MM)	Ramp Width (MM)	Base Code	Standard Colours	Made to order Colours	Production Drawing Reference
8	14.5	ATSE3.08	Plain Matt Silver (MS) Bright Silver (BS)	White (W) Black (BK)	ATSE3.8V001
10	16.5	ATSE3.10			ATSE3.10V001
12.5	22.5	ATSE3.12			ATSE3.12V001
16	28.5	ATSE3.16			ATSE3.16V001
18	32.5	ATSE3.18			ATSE3.18V001
8	58	ATSE3.58-08			ATSE3.58-08V001
10	89	ATSE3.89-10			ATSE3.89-10V001
12	89	ATSE3.89-12			ATSE3.89-12V001

Standards

(DIN/BS) EN 573-3:1994
(DIN/BS) EN 755-2:1997

Chemical Content		Mechanical Properties	
Silicone %	0.20-0.60	Dimension (mm)	
Iron %	0.35	<=3	3<e<=25
Copper %	0.1	0.2% Proof Stress Min (N/mm2)	
Manganese %	0.1	130	110
Magnesium %	0.45-0.90	Tensile Strength Min (N/mm2)	
Chromium %	0.1	175	160
Zinc %	0.1	Elongation (%)	
Titanium %	0.1	8	7
Other (each 0.05%)	0.15	Elongation on 50mm (%)	
Aluminium %	Rem.	6	5
ALLOY:	6063	TEMPER:	T5

Standard Colours



Plain



Matt Silver



Bright Silver

Made to Order Colours



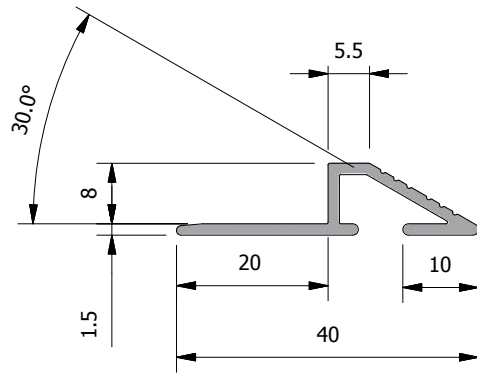
White



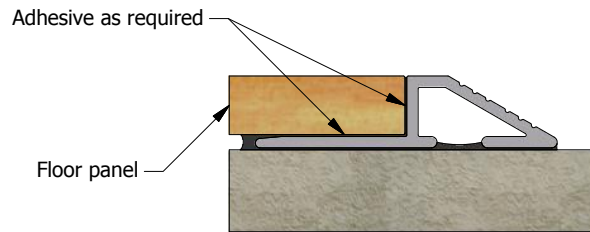
Black

Features

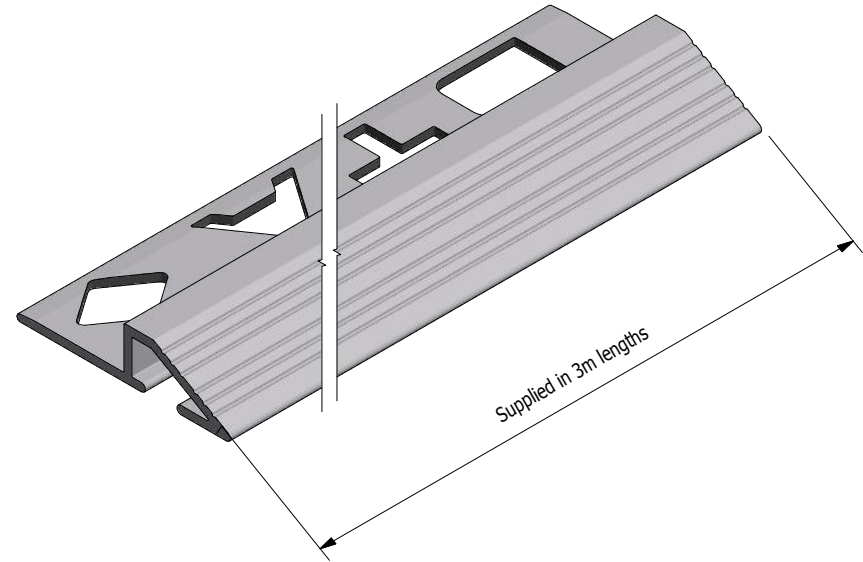
	Applications	Standard Colours	Made to order
	Pedestrian	✓	✓
	Indoors	✓	✓
	Outdoors	✓	✓
	Car	✓	✓
	Coastal	✓	✓
	UV Resistant	✓	✓



Sectional view



Typical installation detail


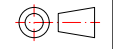


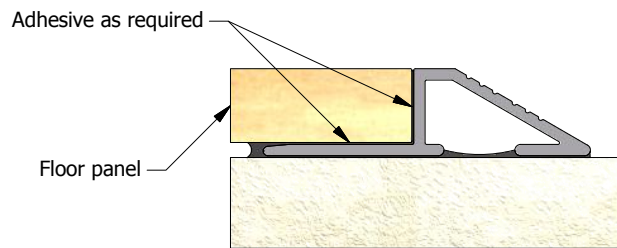
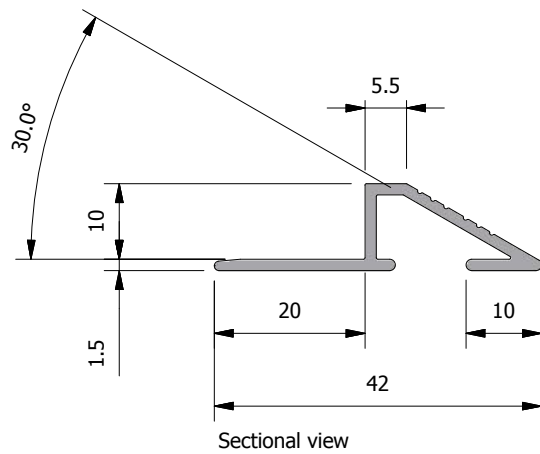
Supplied in 3m lengths

Refer to Datasheet for colour range and options.

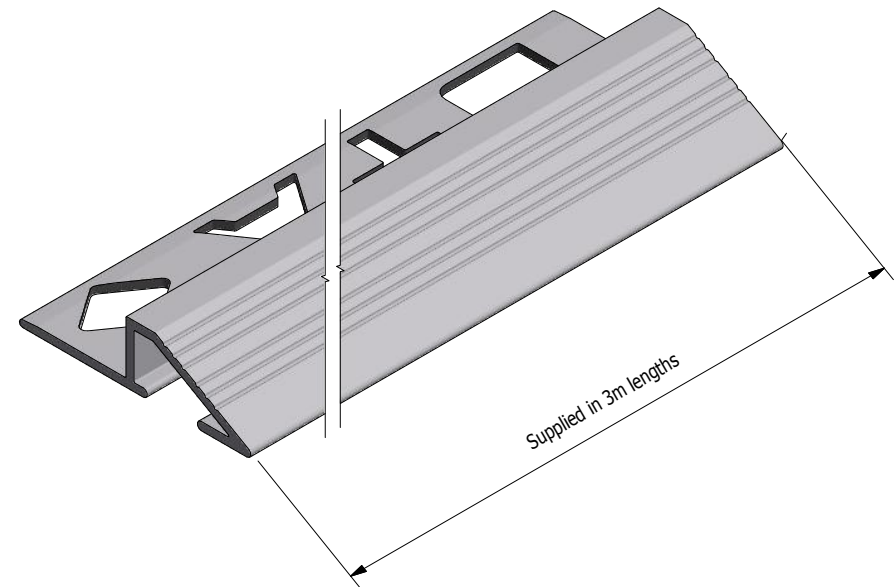
DTA reserves the right to amend product specifications without notice.
Product may vary from what is presented herein.

Document date: 07/2015.

TITLE Aluminium Transition Edge					 ABN 26 00 72 91 054
BASE CODE ATSE3.8	PRODUCTION REF. ATSE3.8V001	DATASHEET REF. DTA_ATSE001			
MATERIAL 6063 - T5	WEIGHT TBD	LENGTH 3.0m		.X ± 0.1 .XX □ 0.01 < 0.25 □	
DTA International Pty Ltd - 6 Ashley Park Drive, Chelsea Heights, VIC Ph: 1800 505 045, Fx: +61 397 819 788, E: sales@dta-aus.com.au				SCALE 1:1 A4	REVISION A
This drawing is the property of DTA International Pty Ltd. The information displayed here is confidential. It is not to be used, copied, or disclosed without our permission.				SHEET 1 / 1	




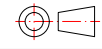
Typical installation detail

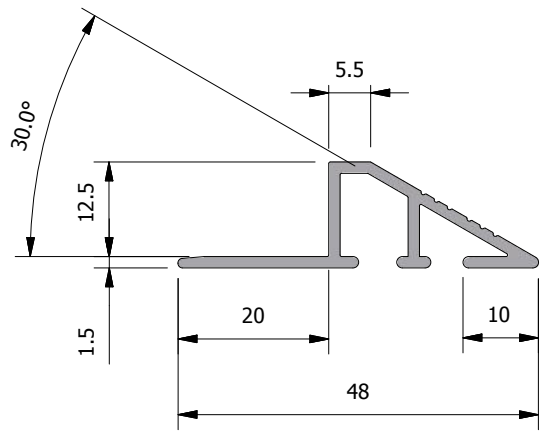


Refer to Datasheet for colour range and options.

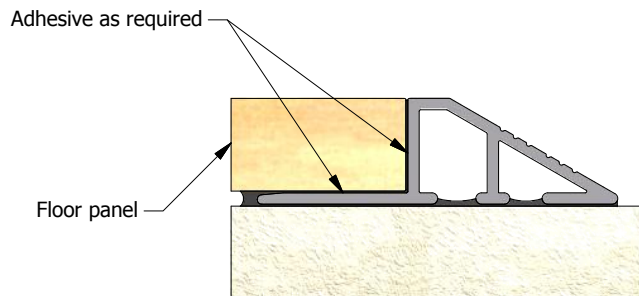
DTA reserves the right to amend product specifications without notice.
Product may vary from what is presented herein.

Document date: 07/2015.

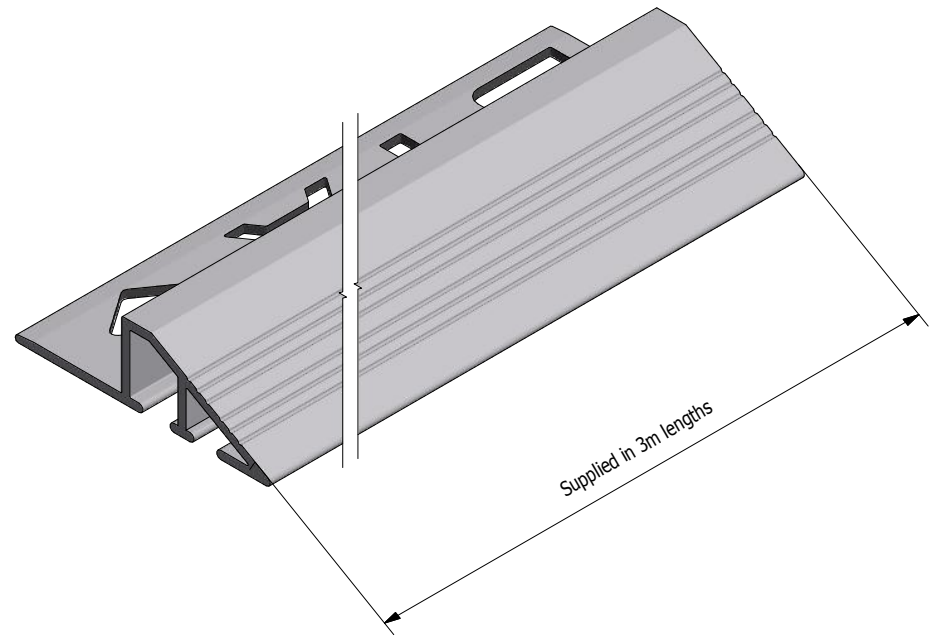
TITLE Aluminium Transition Edge					 ABN 26 00 72 91 054
BASE CODE ATSE3.10	PRODUCTION REF. ATSE3.10V001	DATASHEET REF. DTA_ATSE001			
MATERIAL 6063 - T5	WEIGHT TBD	LENGTH 3.0m		.X ± 0.1 .XX ± 0.01 ∠ ± 0.25°	
DTA International Pty Ltd - 6 Ashley Park Drive, Chelsea Heights, VIC Ph: 1800 505 045, Fx: +61 397 819 788, E: sales@dta-aus.com.au				SCALE 1:1 A4	REVISION A
This drawing is the property of DTA International Pty Ltd. The information displayed here is confidential. It is not to be used, copied, or disclosed without our permission.				SHEET 1 / 1	



Sectional view




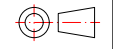
Typical installation detail

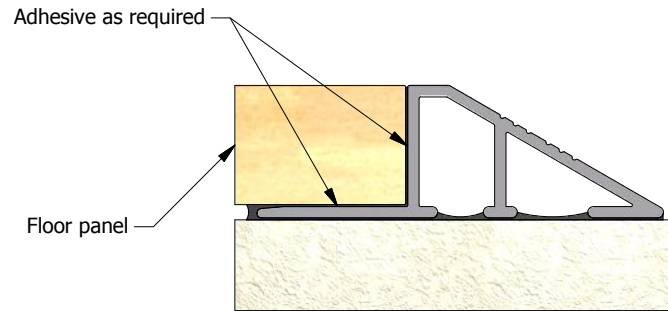
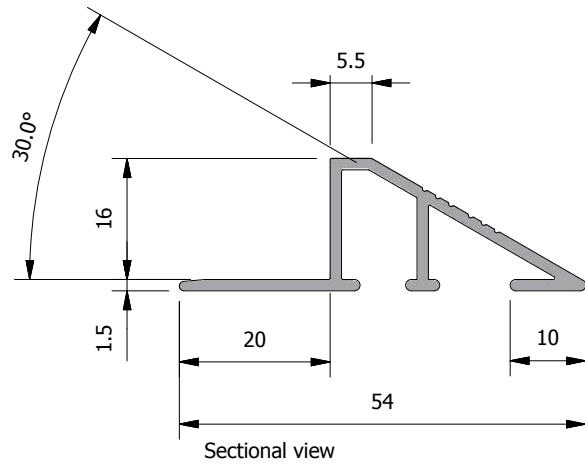


Refer to Datasheet for colour range and options.

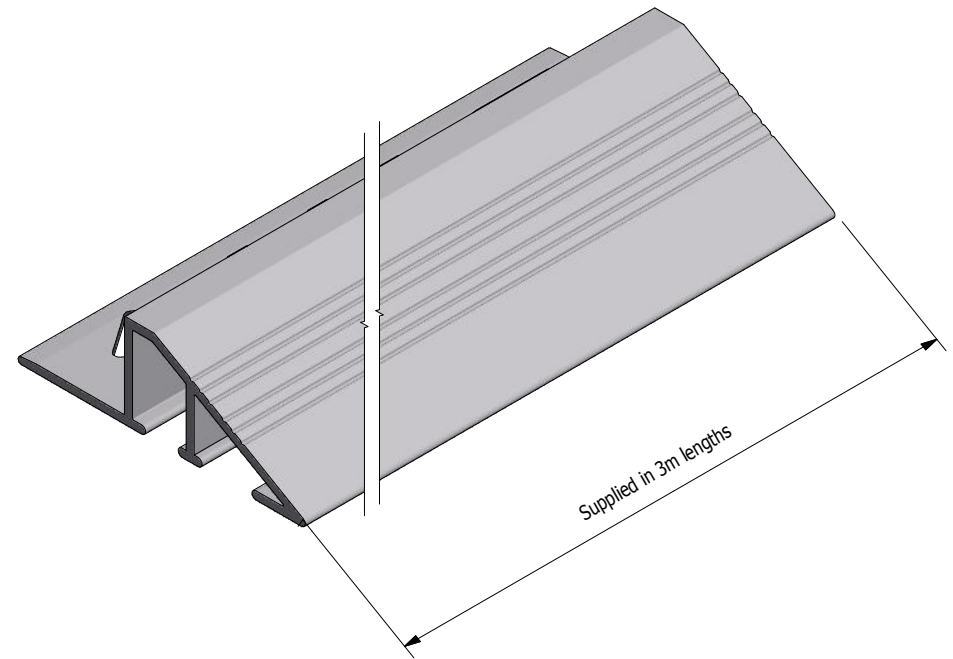
DTA reserves the right to amend product specifications without notice.
Product may vary from what is presented herein.

Document date: 10/07/2015.

TITLE Aluminium Transition Edge					 ABN 26 00 72 91 054
BASE CODE ATSE3.12	PRODUCTION REF. ATSE3.12V001	DATASHEET REF. DTA_ATSE001			
MATERIAL 6063 - T5	WEIGHT TBD	LENGTH 3.0m	 $.X \pm 0.1$ $.XX \pm 0.01$ $\angle \pm 0.25^\circ$		
DTA International Pty Ltd - 6 Ashley Park Drive, Chelsea Heights, VIC Ph: 1800 505 045, Fx: +61 397 819 788, E: sales@dta-aus.com.au			SCALE 1:1 A4	REVISION A	
This drawing is the property of DTA International Pty Ltd. The information displayed here is confidential. It is not to be used, copied, or disclosed without our permission.			SHEET 1 / 1		




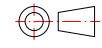
Typical installation detail

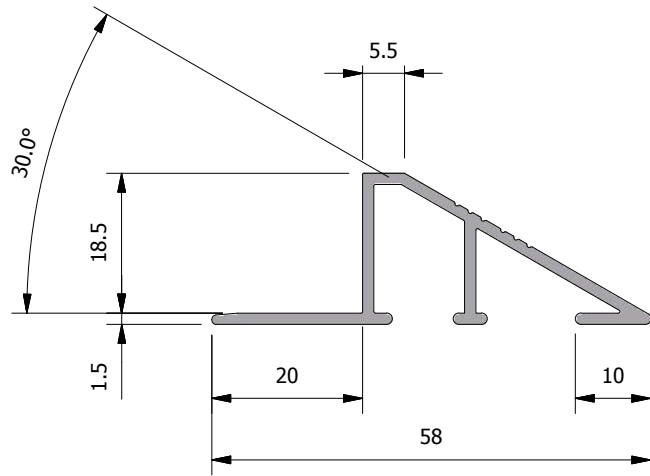


Refer to Datasheet for colour range and options.

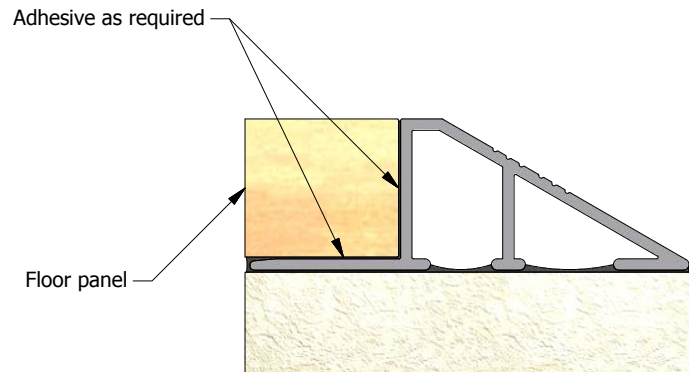
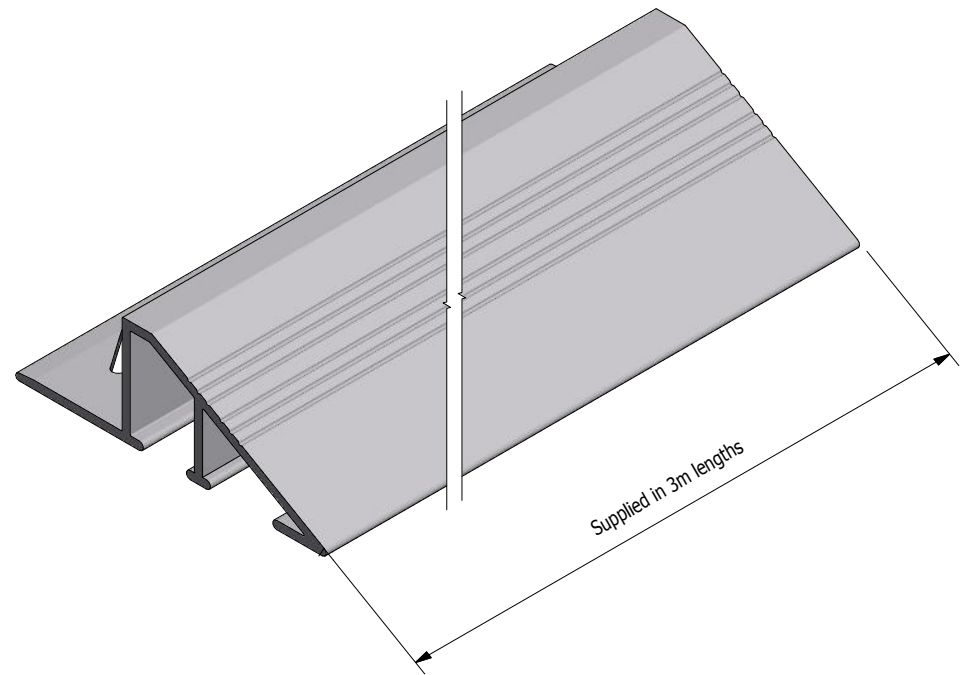
DTA reserves the right to amend product specifications without notice.
Product may vary from what is presented herein.

Document date: 07/2015.

TITLE Aluminium Transition Edge					 ABN 26 00 72 91 054
BASE CODE ATSE3.16	PRODUCTION REF. ATSE3.16V001	DATASHEET REF. DTA_ATSE001			
MATERIAL 6063 - T5	WEIGHT TBD	LENGTH 3.0m		.X ± 0.1 .XX ± 0.01 ∠ ± 0.25°	
DTA International Pty Ltd - 6 Ashley Park Drive, Chelsea Heights, VIC Ph: 1800 505 045, Fx: +61 397 819 788, E: sales@dta-aus.com.au				SCALE 1:1 A4	REVISION A
This drawing is the property of DTA International Pty Ltd. The information displayed here is confidential. It is not to be used, copied, or disclosed without our permission.				SHEET 1 / 1	



Sectional view


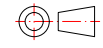


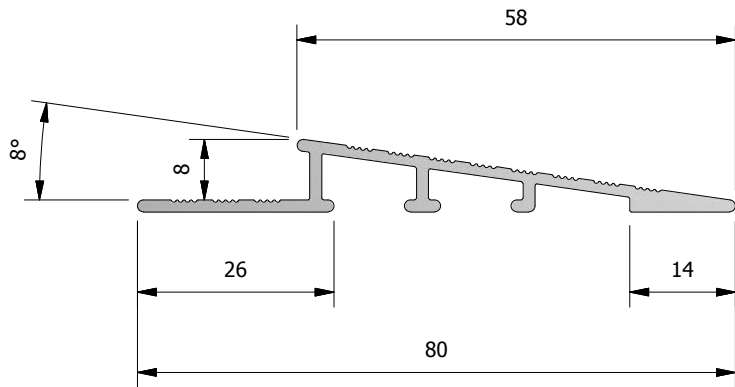
Typical installation detail

Refer to Datasheet for colour range and options.

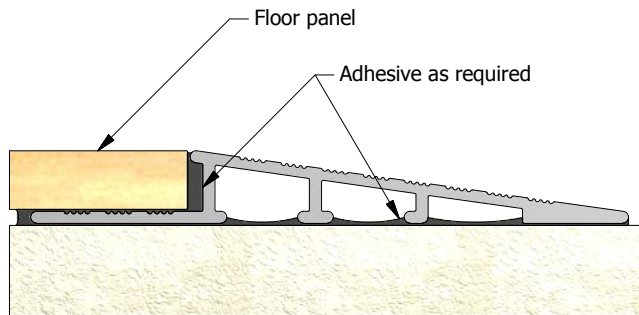
DTA reserves the right to amend product specifications without notice.
Product may vary from what is presented herein.

Document date: 07/2015.

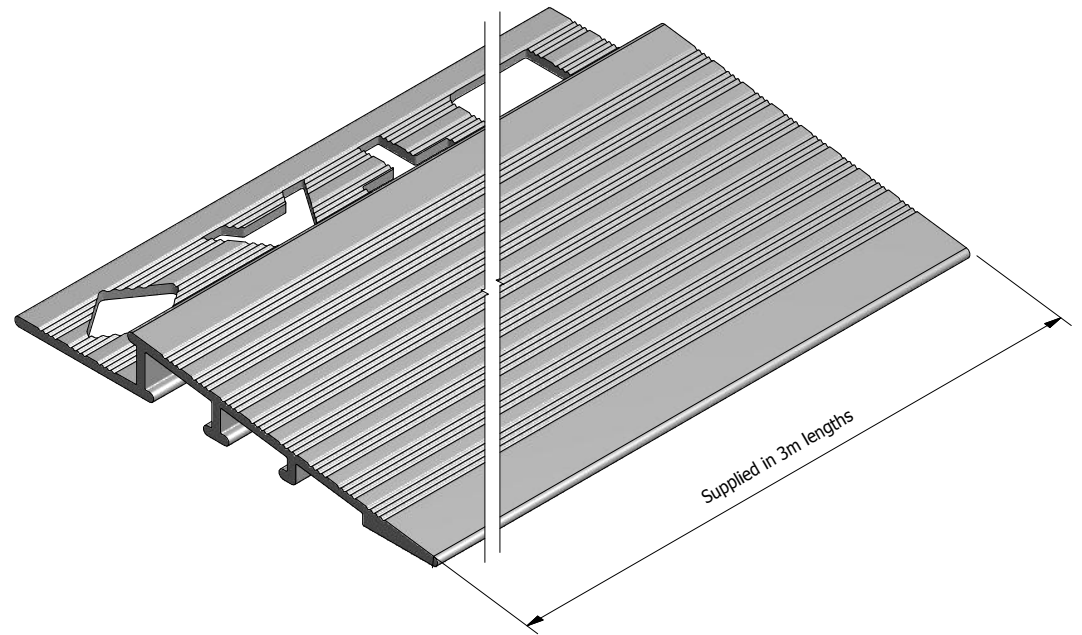
TITLE Aluminium Transition Edge					 ABN 26 00 72 91 054
BASE CODE ATSE3.18	PRODUCTION REF. ATSE3.18V001	DATASHEET REF. DTA_ATSE001			
MATERIAL 6063 - T5	WEIGHT TBD	LENGTH 3.0m		.X ± 0.1 .XX ± 0.01 ∠ ± 0.25°	
DTA International Pty Ltd - 6 Ashley Park Drive, Chelsea Heights, VIC Ph: 1800 505 045, Fx: +61 397 819 788, E: sales@dta-aus.com.au				SCALE 1:1 A4	REVISION A
This drawing is the property of DTA International Pty Ltd. The information displayed here is confidential. It is not to be used, copied, or disclosed without our permission.				SHEET 1 / 1	



Sectional view




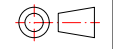
Typical installation detail

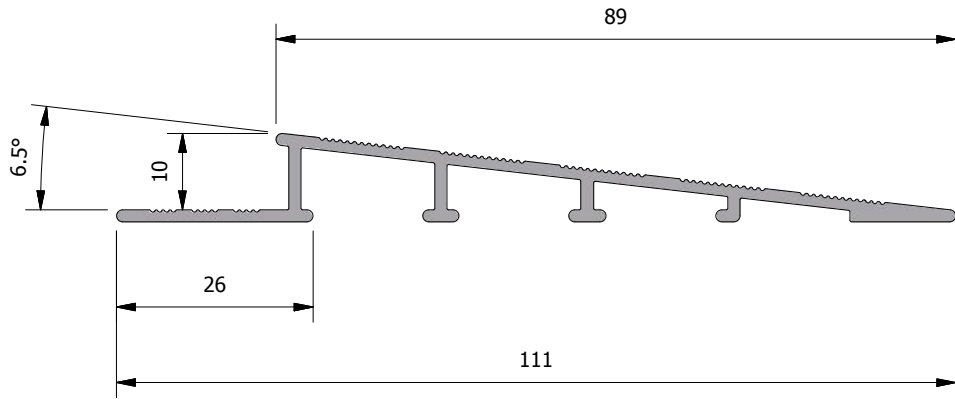


Refer to Datasheet for colour range and options.

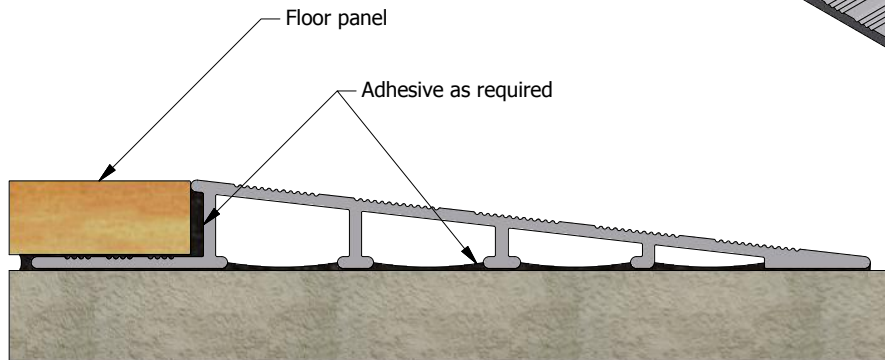
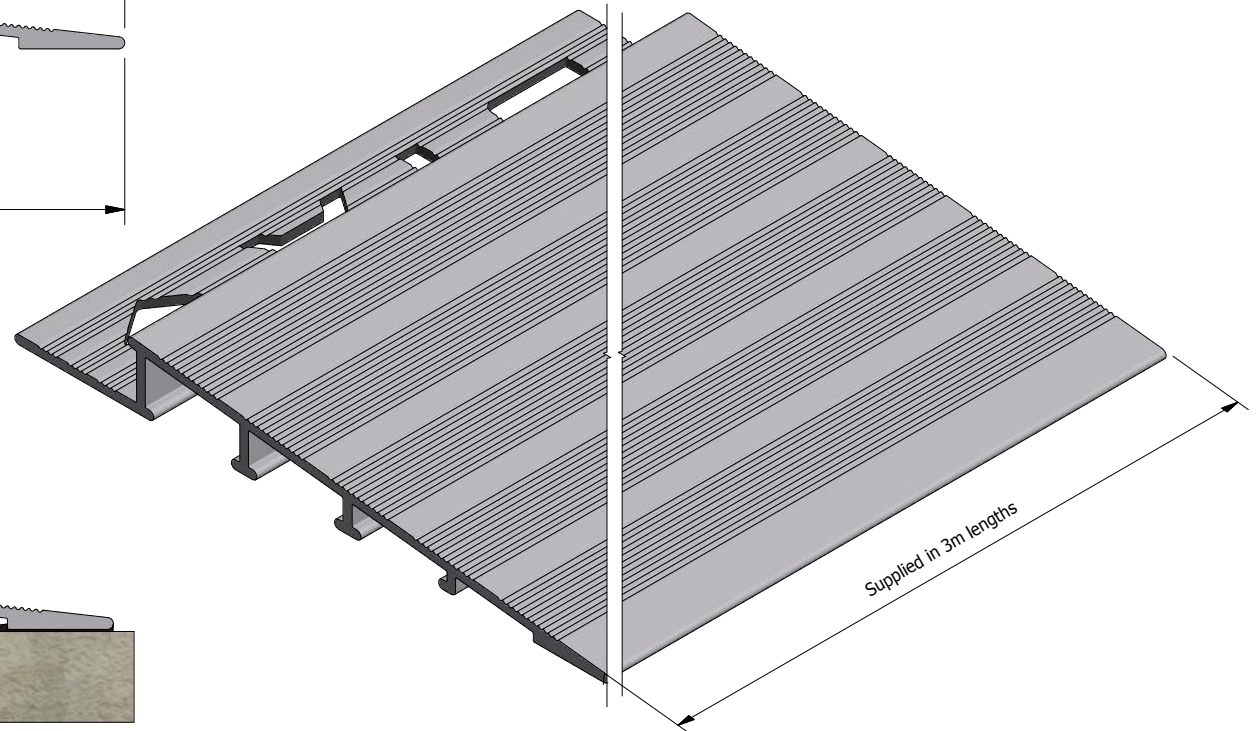
DTA reserves the right to amend product specifications without notice.
Product may vary from what is presented herein.

Document date: 07/2015.

TITLE Aluminium Transition Edge 58mm Ramp					 ABN 26 00 72 91 054
BASE CODE ATSE3.58-08	PRODUCTION REF. ATSE3.58-08V001	DATASHEET REF. DTA_ATSE001			
MATERIAL 6063 - T5	WEIGHT TBD	LENGTH 3.0m		.X ± 0.1 .XX ± 0.01 ∠ ± 0.25°	
DTA International Pty Ltd - 6 Ashley Park Drive, Chelsea Heights, VIC Ph: 1800 505 045, Fx: +61 397 819 788, E: sales@dta-aus.com.au				SCALE 1:1 A4	REVISION A
This drawing is the property of DTA International Pty Ltd. The information displayed here is confidential. It is not to be used, copied, or disclosed without our permission.				SHEET 1 / 1	



Sectional view


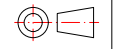


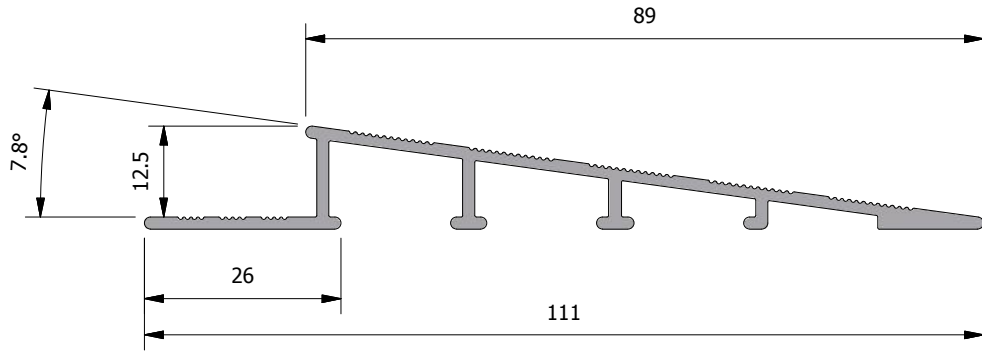
Typical installation detail

Refer to Datasheet for colour range and options.

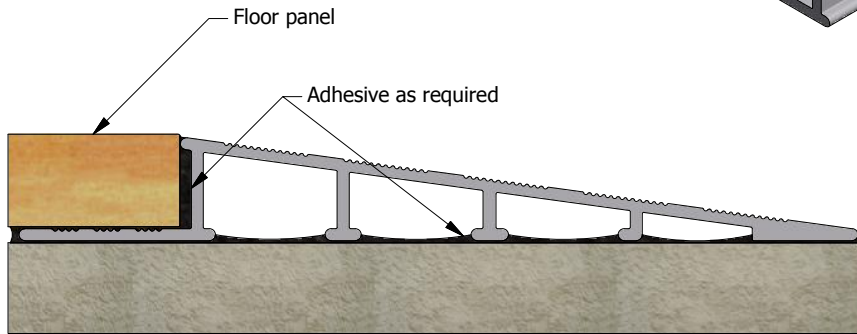
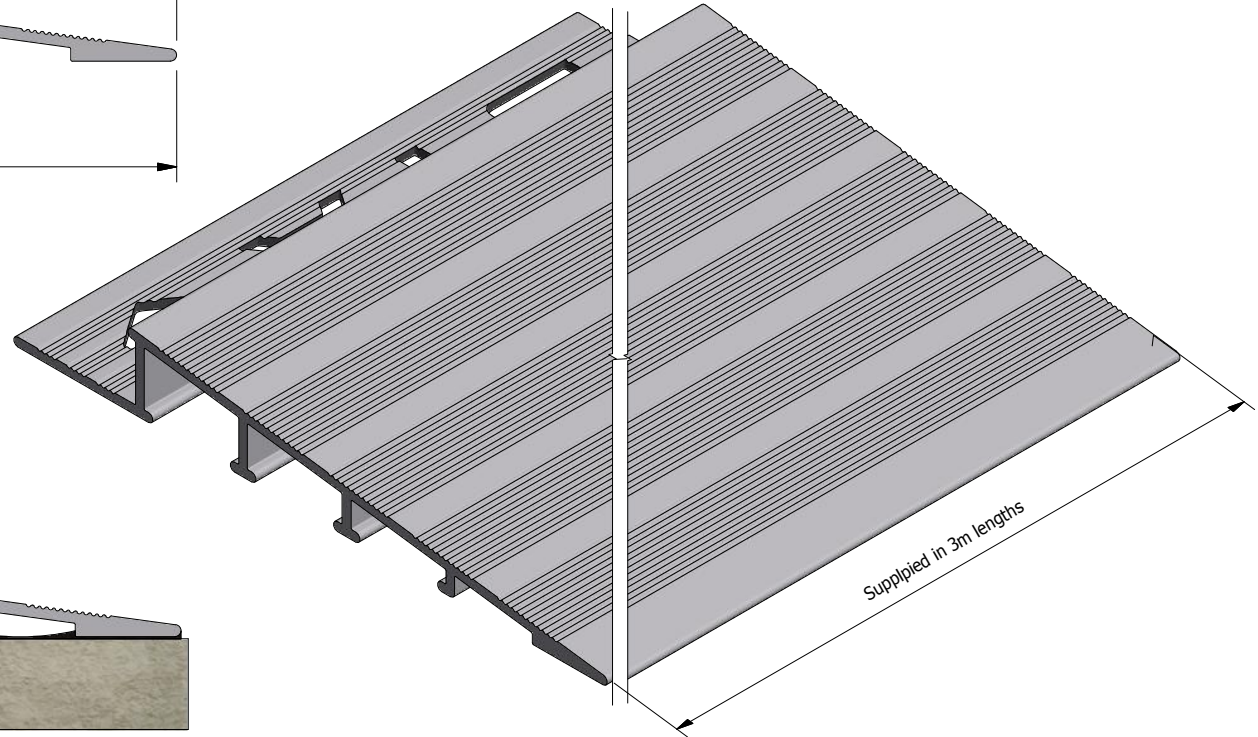
DTA reserves the right to amend product specifications without notice.
Product may vary from what is presented herein.

Document date: 07/2015.

TITLE Aluminium Transition Edge 89mm Ramp					 ABN 26 00 72 91 054
BASE CODE ATSE3.89-10	PRODUCTION REF. ATSE3.89-10V001	DATASHEET REF. DTA_ATSE001			
MATERIAL 6063 - T5	WEIGHT TBD	LENGTH 3.0m	 $.X \pm 0.1$ $.XX \pm 0.01$ $\angle \pm 0.25^\circ$	SCALE 1:1 A4	
DTA International Pty Ltd - 6 Ashley Park Drive, Chelsea Heights, VIC Ph: 1800 505 045, Fx: +61 397 819 788, E: sales@dta-us.com.au				SHEET 1 / 1	REVISION A
This drawing is the property of DTA International Pty Ltd. The information displayed here is confidential. It is not to be used, copied, or disclosed without our permission.					



Sectional view



Typical installation detail

Refer to Datasheet for colour range and options.

DTA reserves the right to amend product specifications without notice.
Product may vary from what is presented herein.

Document date: 07/2015.

TITLE Aluminium Transition Edge 89mm Ramp				
BASE CODE ATSE3.89-12	PRODUCTION REF. ATSE3.89-12V001	DATASHEET REF. DTA_ATSE001		
MATERIAL 6063 - T5	WEIGHT TBD	LENGTH 3.0m		.X ± 0.1 .XX ± 0.01 ∠ ± 0.25°
DTA International Pty Ltd - 6 Ashley Park Drive, Chelsea Heights, VIC Ph: 1800 505 045, Fx: +61 397 819 788, E: sales@dta-aus.com.au			SCALE 1:1 A4	REVISION A
This drawing is the property of DTA International Pty Ltd. The information displayed here is confidential. It is not to be used, copied, or disclosed without our permission.			SHEET 1 / 1	



ABN 26 00 72 91 054