

# CAI

## PEDESTAL PAN & SEAT

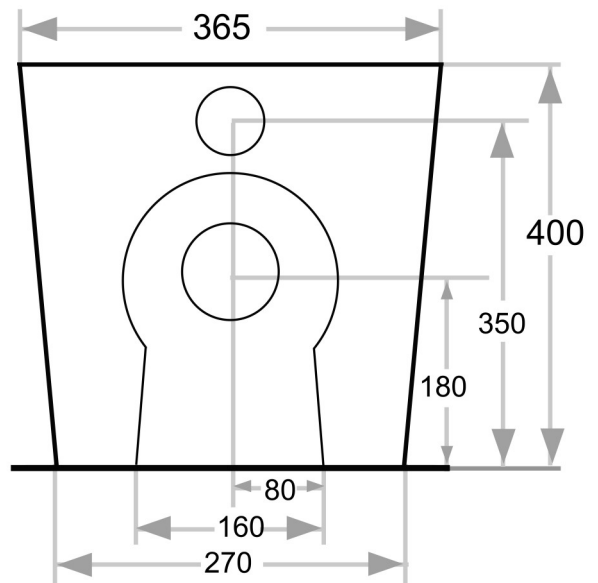
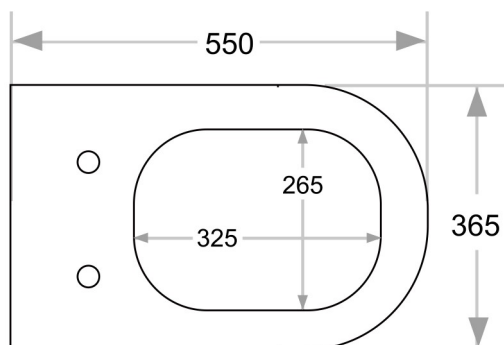
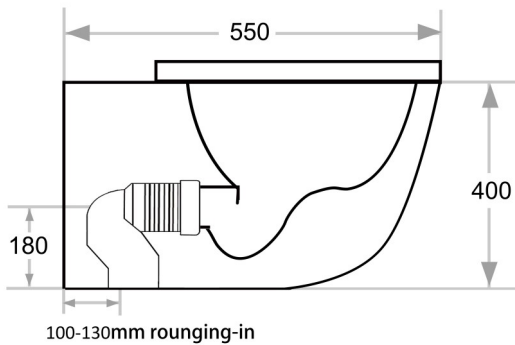
(M2370B)

Includes:  
Soft Close Quick Release Seat  
Variable Set-Out 100-130mm

Suitable for use with all  
TECE Floor Mount Cisterns

Manufactured in PRC

2 Years Warranty



Proudly imported and distributed by Gro Agencies Pty Ltd  
Unit 2 / 37 Howe St, Osborne Park, WA, 6017 P 08 9446 3288  
E info@groagencies.com.au W www.groagencies.com.au



## 8cm PEDESTAL CISTERN

**TECE**  
close to you

Code - 9.370.057

Suitable for use in:

Double Brick Cavity Walls

90mm Stud Frame Walls

Front Button Mounting

Sheeting Requirements (Prior to tiling):

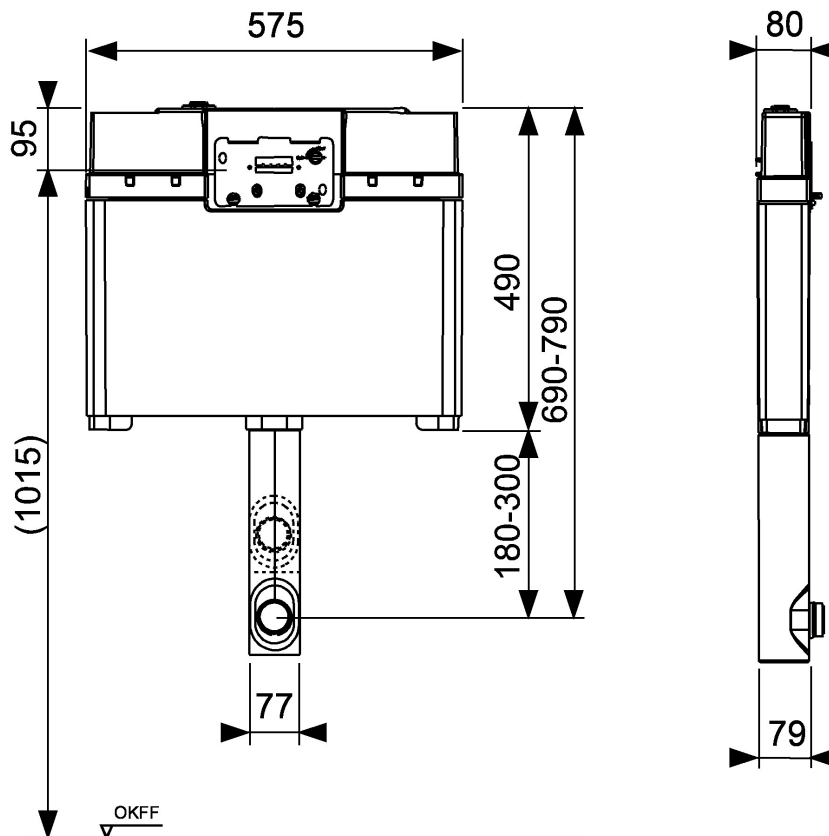
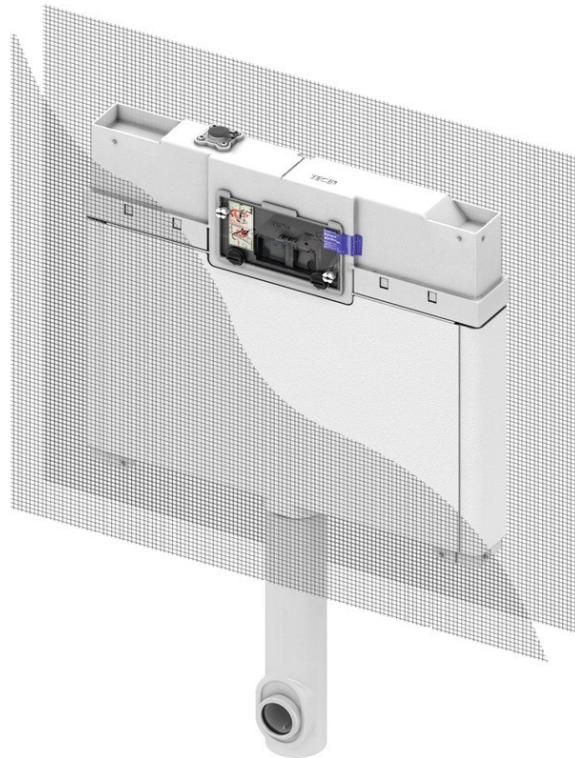
Standard Buttons - 18mm non flex board

Flush Mount Buttons - 25mm non flex board

**Note:** Square Metal Buttons require **30mm** overall thickness including sheeting & tiling

Water Inlet top left side

2 Year Parts and Labour Warranty on Internals  
10 Year Warranty on Cistern Construction



Proudly imported and distributed by  
Gro Agencies Pty Ltd

**gro**  
agencies

# TECEnow PUSH PLATE

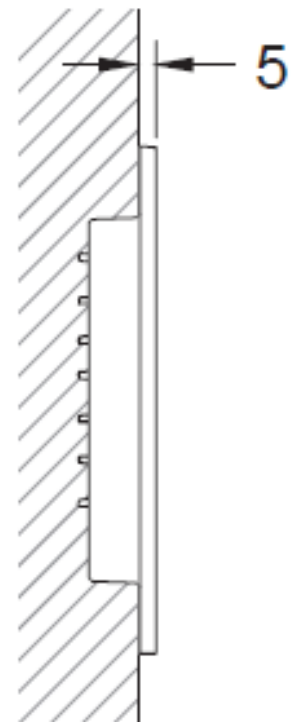
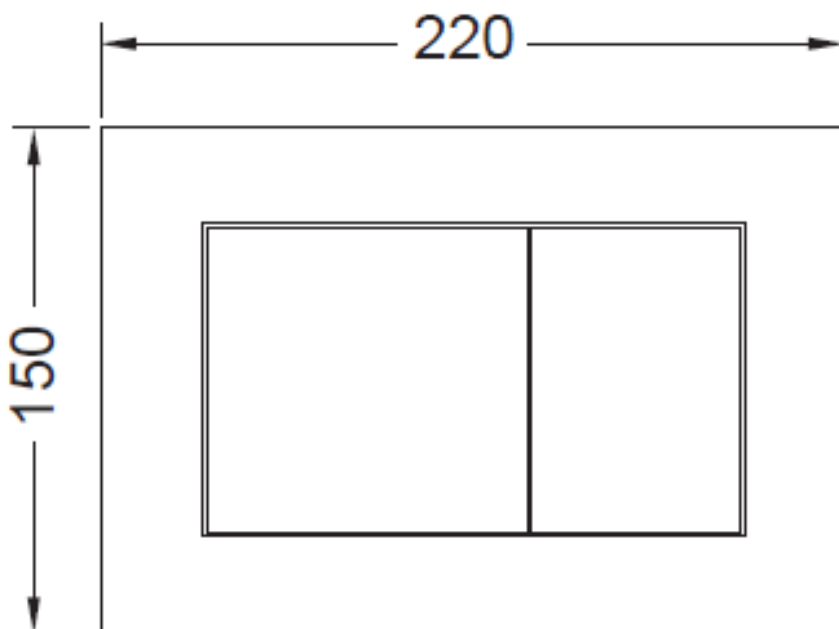
**TECE**  
close to you

Gloss White -	9.240.400
Chrome -	9.240.401
Matt Chrome -	9.240.402
Gloss Black -	9.240.403
Matte Black -	9.240.404

Suitable for use with all TECE Cisterns

Minimum wall thickness for button installation is 18mm (includes sheeting and tiles)

When using wall hung cisterns TECE recommend using compressed sheeting/non flexing board.



Proudly imported and distributed by  
Gro Agencies Pty Ltd

**gro**  
agencies