

# MW06

## WALL TOP ASSEMBLY

# meir®

MATTE BLACK  
MW06

CHAMPAGNE  
MW06-CH

TIGER  
BRONZE  
MW06-BB

BRUSHED  
NICKEL  
MW06-PVDBN

AVAILABLE  
FINISHES



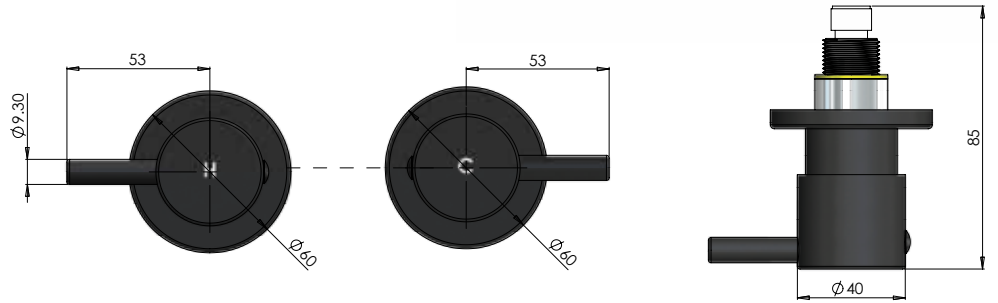
### FEATURES

- 10 Year warranty
- 1/4 turn 85mm ceramic spindle
- Flow rate 20 l/min
- Solid brass construction
- Required Parts MSABR00/MP13
- Box Weight 0.6Kg

### CARE

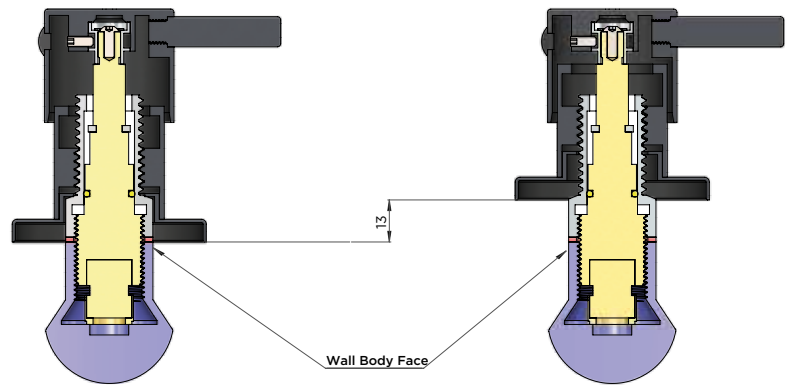
- Do not install tapware using any form of acetone silicones.
- Do not apply physical items (such as tools) directly to product.
- Never use house-hold or commercial detergents, citrus based cleaners, or abrasive cleaners.
- Clean using a mild washing soap solution rinsed, and dry with a soft cloth.
- Check for any product defects before installation.
- Refer to the installation manual for correct installation.

### SPECIFICATIONS

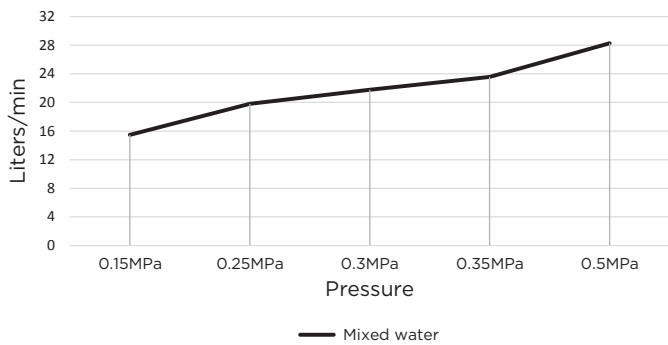


### TOLERANCE

Tolerance above wall body face



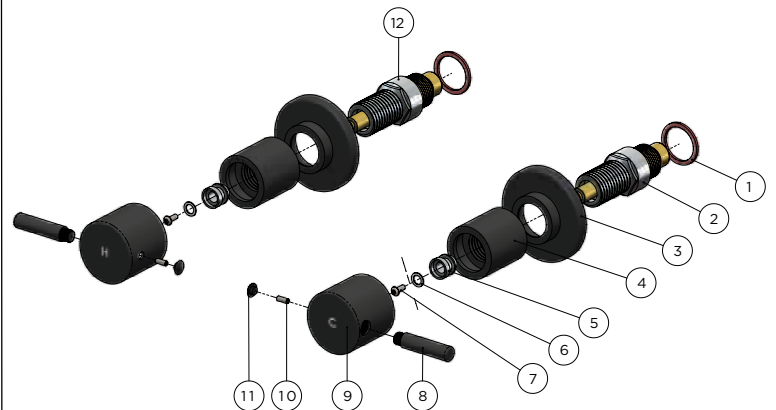
### FLOW RATE GRAPH



### CREDENTIALS

- Watermark AS/NZS 3718 WMKA 20374

### EXPLODED VIEW



- |                   |                 |                   |
|-------------------|-----------------|-------------------|
| 1. Fibre washer   | 5. Connector    | 9. Handle         |
| 2. Cold cartridge | 6. Washer       | 10. Screw         |
| 3. Back plate     | 7. Screw        | 11. Decor knob    |
| 4. Nut            | 8. Handle lever | 12. Hot cartridge |