

FAITH PEDESTAL Package #1011306

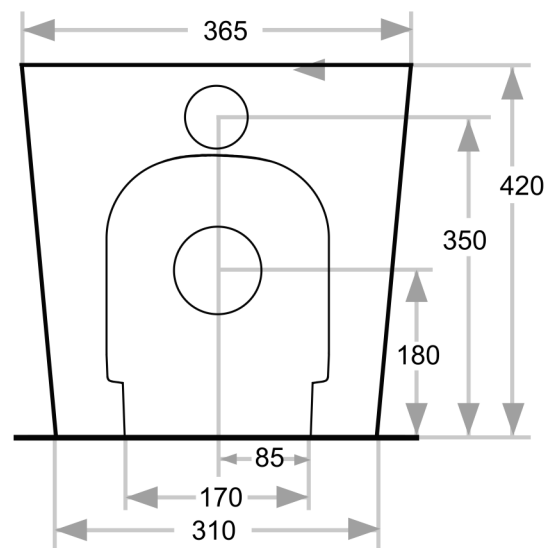
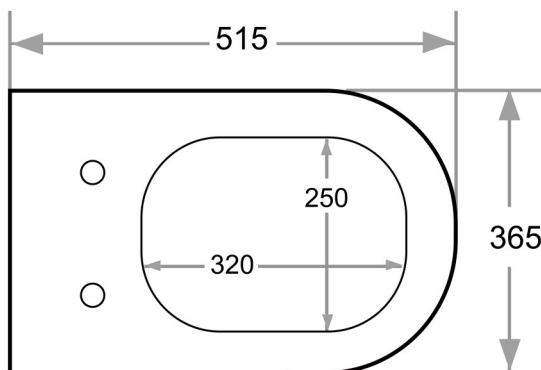
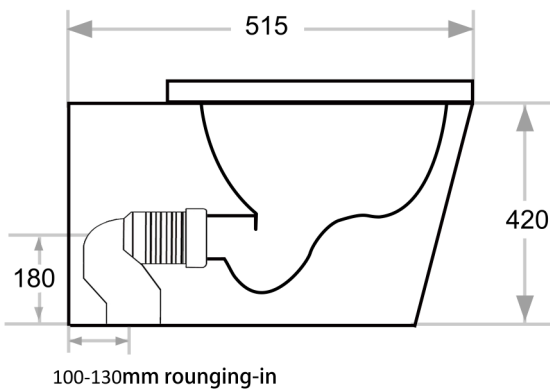
Includes:

Pan, Soft Close Quick Release Seat M3314B
TECE Cistern and TECEnow Flush Button
Variable Set-Out 100-130mm

Suitable for use with all
TECE Floor Mount Cisterns

Pan Manufactured in PRC
TECE Manufactured in Germany

2 Years Warranty



Proudly imported and distributed by
Gro Agencies Pty Ltd
Unit 2 / 37 Howe St, Osborne Park, WA, 6017
P 08 9446 3288 E info@groagencies.com.au W www.groagencies.com.au



8cm PEDESTAL CISTERN

Code - 9.370.503

Suitable for use in:
Double Brick Cavity Walls
90mm Stud Frame Walls

Front Button Mounting

Sheeting Requirements (Prior to tiling):
Standard Buttons - 18mm non flex board
Flush Mount Buttons - 25mm non flex board

Note: Square Metal Buttons require **30mm** overall thickness including sheeting & tiling

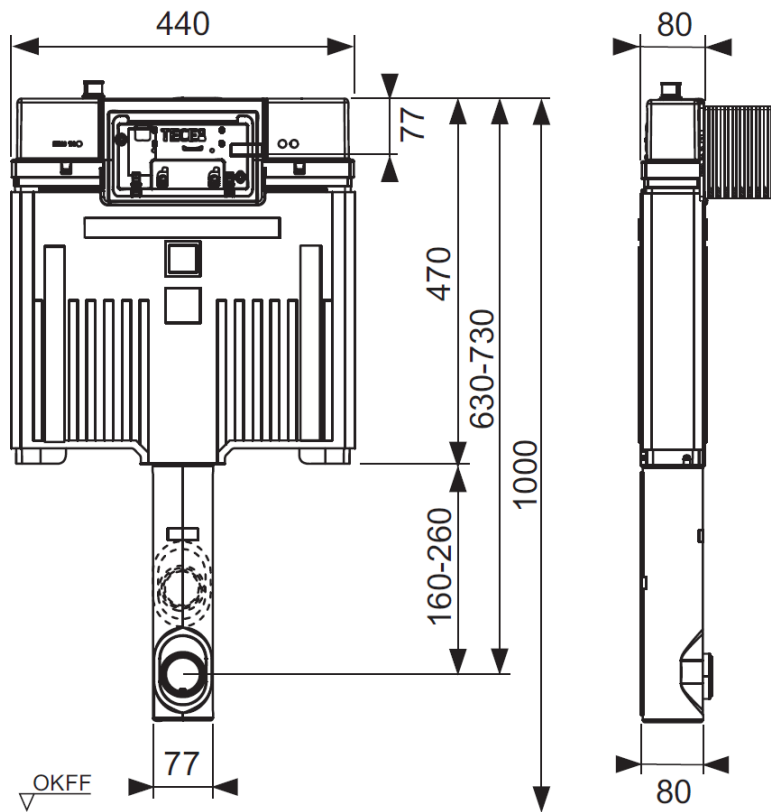
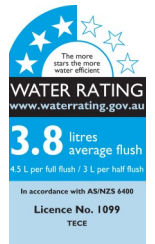
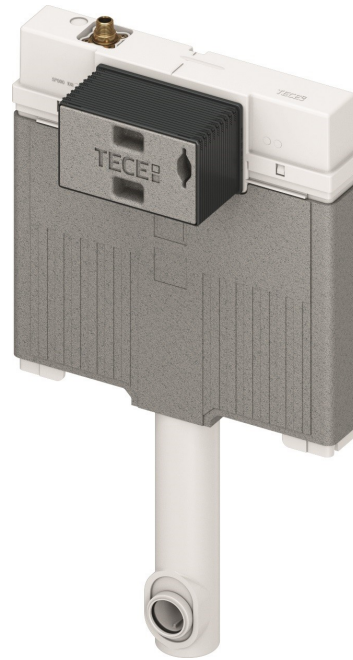
Water Inlet top left side

2 Year Parts and Labour Warranty on Internals

10 Year Warranty on Cistern Construction

TECE

close to you



Proudly imported and distributed by
Gro Agencies Pty Ltd
Unit 2 / 37 Howe St, Osborne Park, WA, 6017
P 08 9446 3288 E info@groagencies.com.au W www.groagencies.com.au

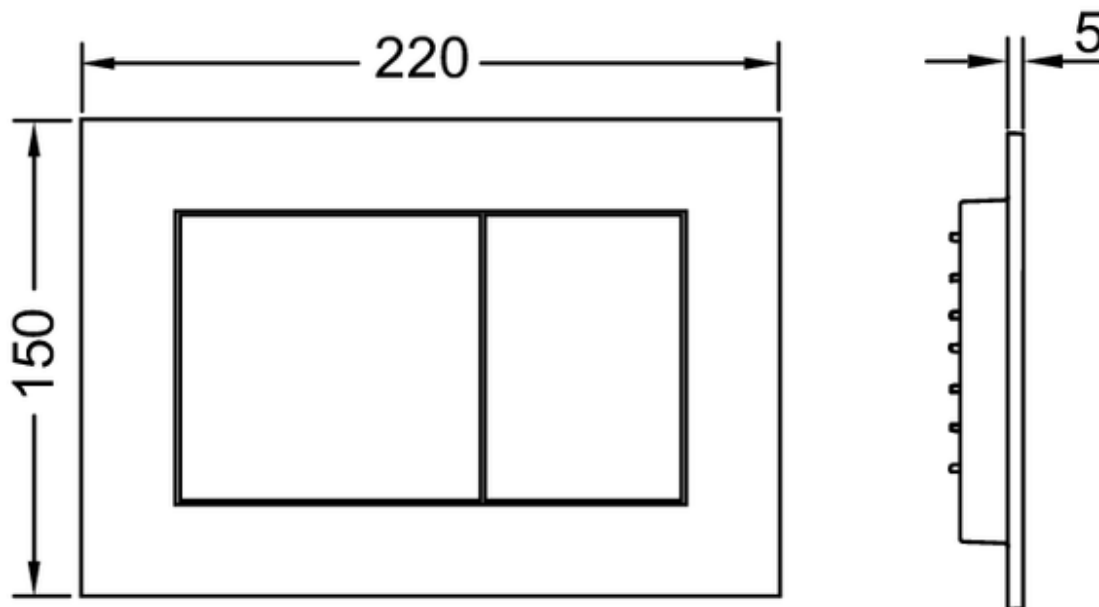
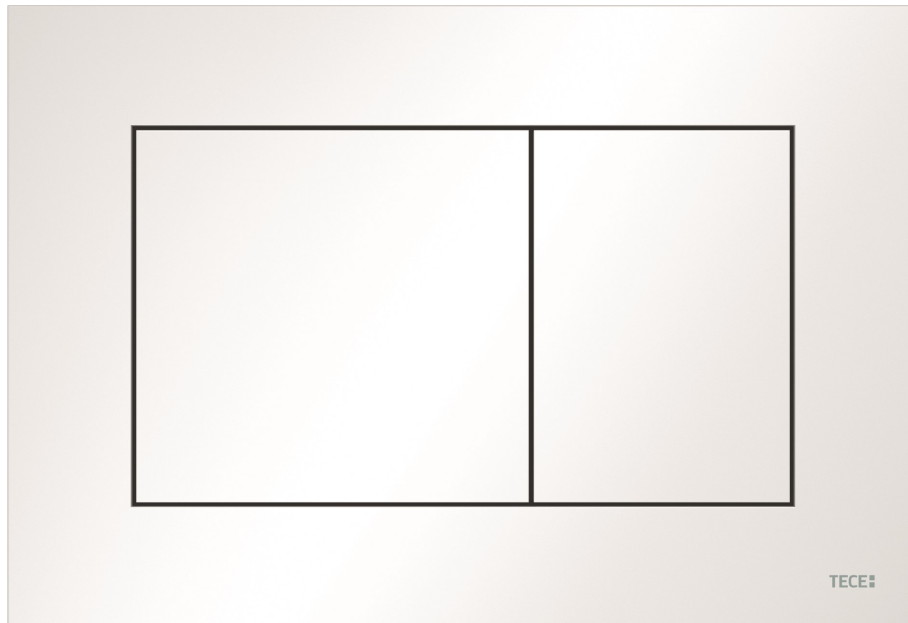


TECEnow ABS Flush Button

TECE
close to you

Suitable for use with all TECE Cisterns.

Minimum wall thickness for button installation is 18mm (includes sheeting and tiles).



Suitable for use with all TECE Cisterns.

Minimum wall thickness for button installation is 18mm (includes sheeting and tiles).

Proudly imported and distributed by
Gro Agencies Pty Ltd
Unit 2 / 37 Howe St, Osborne Park, WA, 6017
P 08 9446 3288 E info@groagencies.com.au W www.groagencies.com.au

gro
agencies