







PHOENIX

STUDIO

CHANNEL DRAIN TILE INSERT 100MM OUTLET 90MM

CODE	FINISH	LENGTH
I008894	 Stainless Steel	600MM
I008900	 Stainless Steel	750MM
I008906	 Stainless Steel	900MM
I008912	 Stainless Steel	1200MM

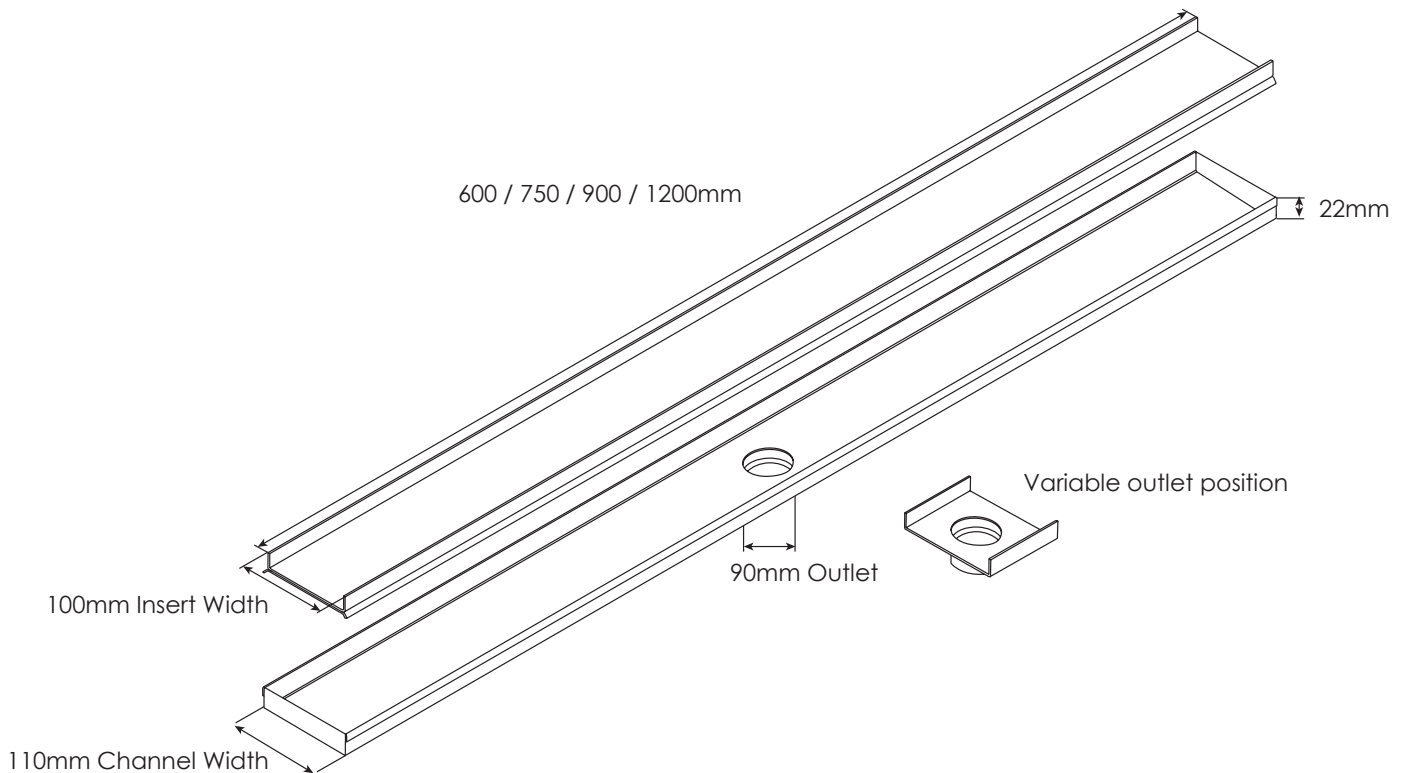


AVAILABLE IN:



STAINLESS
STEEL

FOR MORE INFORMATION VISIT
www.phoenixtapware.com.au



PLEASE [CLICK HERE](#) TO VIEW FULL WARRANTY

While we aim to ensure the specifications shown are correct at time of printing, Phoenix Tapware reserves the right to make modifications without prior notice. Always use the physical product measurements for mark-ups and roughing-in as the line drawing shown may differ from the actual product over time. All measurements are shown in millimetres. Some colours may vary across product types due to differing construction materials. Printed images are a representation only and the colour or finish may vary from the actual product.

www.phoenixtapware.com.au
03 9780 4200